

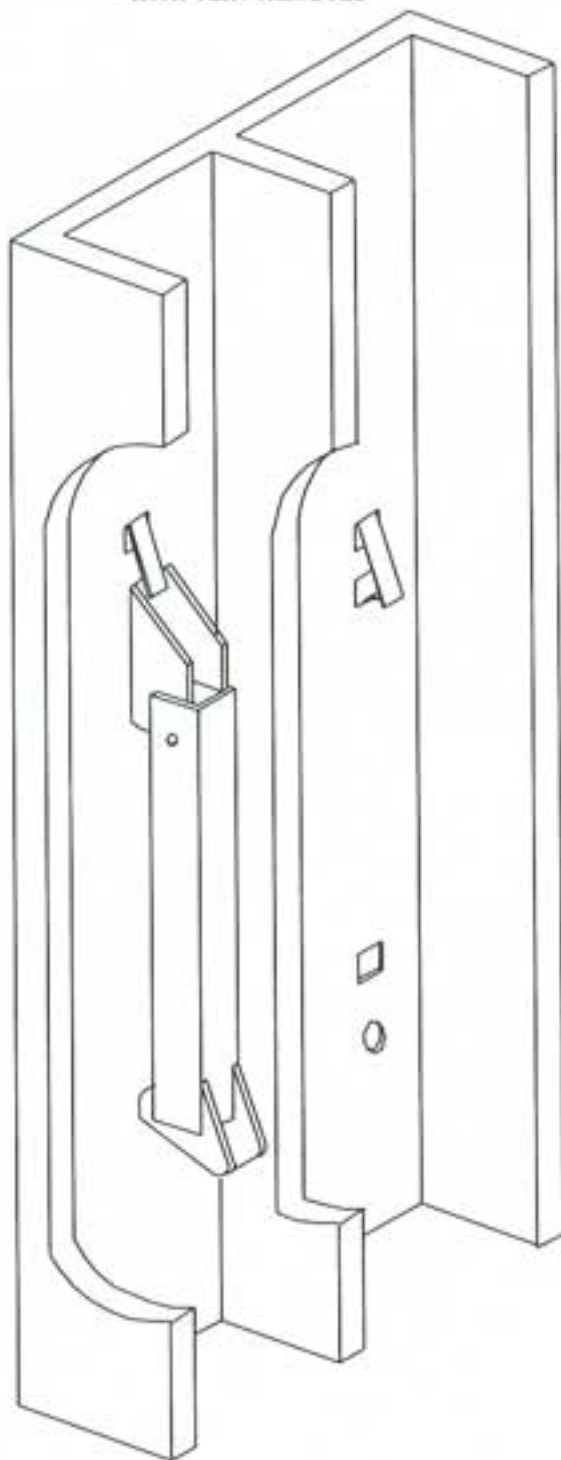
To Remove Vent

Position the take-out clips (E) for vent removal. Raise vent until top guide (B) engages the take-out clip. Continue to raise vent 2" to 3" more to allow the bottom guide to clear the bottom rail. Move vent right or left as far as possible. Removal is then accomplished by swinging the opposite side of vent inward.

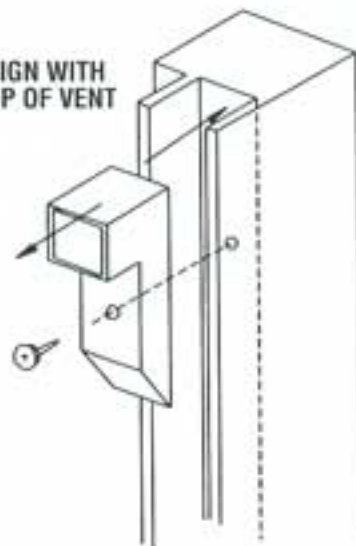
To Replace the Vent

Position right or left side of vent against jamb, 2" to 3" above take-out clip, swing opposite side into alignment with frame. Then lowering vent to engage balances and on down to clear take out clips will automatically center it. Snap take-out clips into operating position.

BALANCE SHOWN
INSTALLED IN JAMB
WITH VENT REMOVED



ALIGN WITH
TOP OF VENT



DETAIL OF CAM
INSTALLATION

Sash Installation/Removal



Install take-out clips, upper and lower, and leave in open position.



Hook the balance terminal clip into position, slide balance down and secure top guide under the take-out clip.



Install all balances.



Insert one side of the vent into jamb 2" - 3" above the take-out clip.



Swing other side into alignment with the jamb.



Lowering vent to engage balances and clear take-out clips will automatically center it.



Snap take-out clips into operating position.



Close vent and fasten check rail latch. To remove vents, reverse the installation procedure.