

Hinge Replacement & Hinge and Hardware Adjustment Guide

for Andersen® Frenchwood® Hinged Patio Doors Manufactured Before November 2005



INSTALLER: Please leave this guide with the building owner to file for future reference.

For ease of installation and continued enjoyment of your Andersen® product, please read and follow this Instruction Guide completely. You may direct any questions about this or other products to your local Andersen dealer, found in the Yellow Pages under “Windows”, or call Andersen WindowCare® service center at 1-888-888-7020 Monday through Friday, 7 a.m. to 7 p.m. Central Time and Saturday, 8 a.m. to 4 p.m. Central Time. Assembly and installation of Andersen products is the sole responsibility of the architect, building owner, contractor and/or consumer and Andersen has no responsibility in this regard. Thank you for choosing Andersen.

⚠ WARNING

Use of ladders and/or scaffolding and working at elevated levels may be hazardous. Follow equipment manufacturer's instructions for safe operation. Use extreme caution when working around window and door openings. Falling from opening may result in personal injury or death.

⚠ WARNING

Improper use of hand or power tools could result in personal injury and/or product damage. Follow equipment manufacturer's instructions for safe operation. Always wear safety glasses.

⚠ WARNING

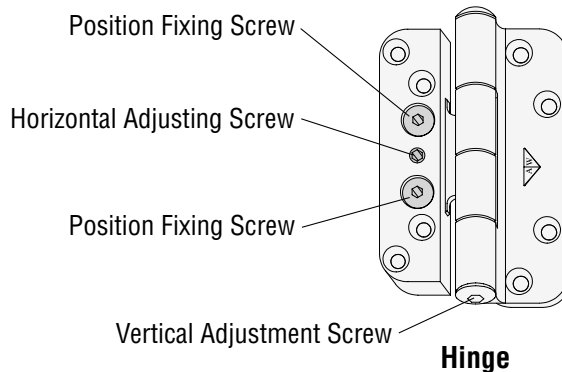
Weight of window and door unit(s) and accessories will vary. Use a reasonable number of people with sufficient strength to lift, carry, and install window and door unit(s) and accessories. Always use appropriate lifting techniques.

Parts Included

- (1) Instruction Guide
- (1) Hinge
- (2) #10 x 1" Screws
- (2) #10 x 3" Screws
- (4) #10 x 1-3/4" Screws

Tools & Supplies

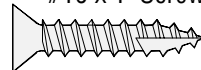
- Safety Glasses
- 5/32" Hex Wrench (Included with Unit)
- Flat Blade Screwdriver
- Phillips Screwdriver



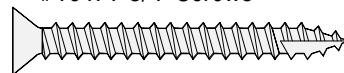
NOTICE

- **Hinge Replacement** section starts on **Page 2**.
- **Hinge and Hardware Adjustment** section starts on **Page 3**.

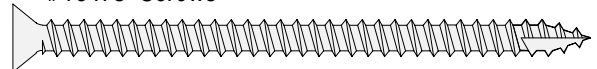
#10 x 1" Screws



#10 x 1-3/4" Screws



#10 x 3" Screws



Hinge Replacement

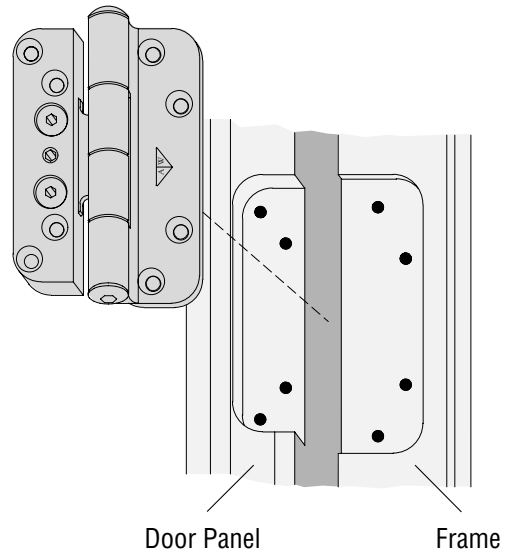
for Andersen® Frenchwood® Hinged Patio Doors

1. Remove Hinge

⚠ WARNING

Remove and replace only one Hinge at a time. Removal of more than one Hinge may result in personal injury, product, and/or property damage.

- Remove screws from *Hinge* being replaced using a Phillips screwdriver.
- Remove *Hinge*.



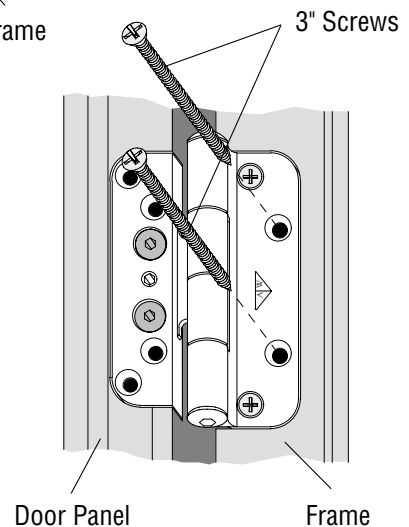
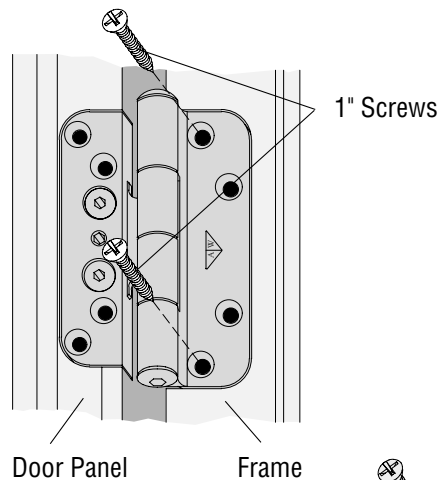
Interior View

2. Apply New Hinge To Frame

- Apply replacement *Hinge* to *Frame* and fasten using two #10 x 1" Screws through top and bottom holes and two #10 x 3" Screws through center holes.

⚠ CAUTION

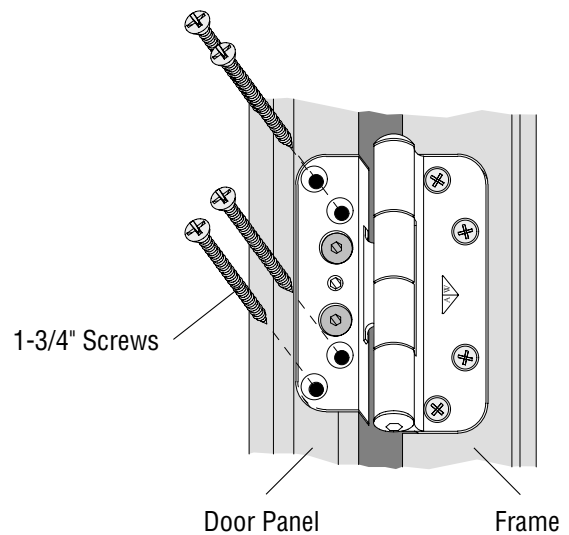
- Steel fasteners will corrode when used with ACQ Pressure Treated Lumber.
- Obtain and use the appropriate size stainless steel fastener, as called out in this installation guide to fasten unit to any rough opening made from ACQ Pressure Treated Lumber.
- Failure to use stainless steel fasteners may result in fastener corrosion causing product damage.



Interior View

3. Apply New Hinge To Door

- Apply replacement *Hinge* to *Door Panel* and fasten using four #10 x 1-3/4" *Screws*.
- Proceed to *Hinge and Hardware Adjustment*, below, for operation check and hinge adjustment instructions.
- Repeat **Steps 1-3** for all hinges being replaced.



Interior View

Hinge and Hardware Adjustment

for Andersen® Frenchwood® Hinged Patio Doors

1. Operational Check

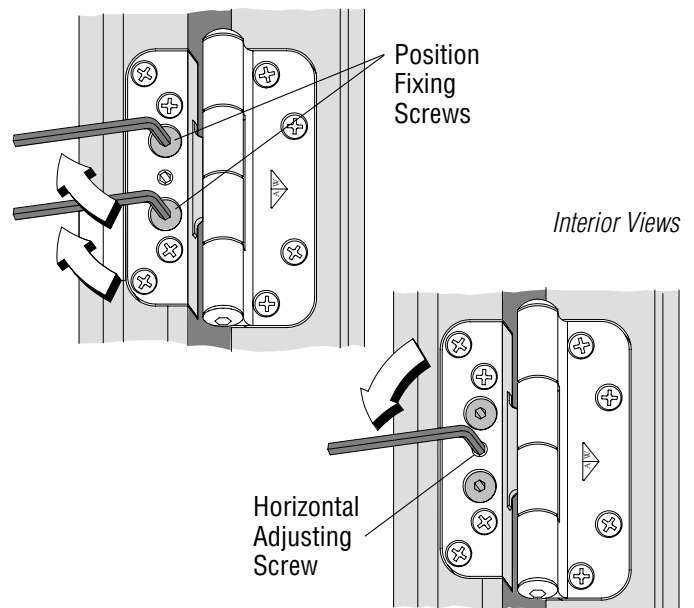
- Open and close door several times.
- Check clearance between *Panel* and *Frame*. *Panel* should not rub *Frame* or *Sill*. *Panel* should be square to *Frame* and *Sill*.
- Check for smooth *Hinge* operation. *Panel* should ride equally on all *Hinges*.
- The *Hinge* used on the Andersen® Frenchwood® Hinged Patio Door can be adjusted to overcome operational problems caused by normal building settlement.

2. Tighten Position Fixing and Horizontal Adjusting Screws

NOTICE

Some adjustment problems may be corrected by simply tightening Hinge Position Fixing Screws.

- Tighten the two *Position Fixing Screws* on all hinges by turning clockwise until snug.
- Check tightness of *Horizontal Adjusting Screws* on all *Hinges* by turning counterclockwise until snug.



3. Identify Hinges for Horizontal Adjustment

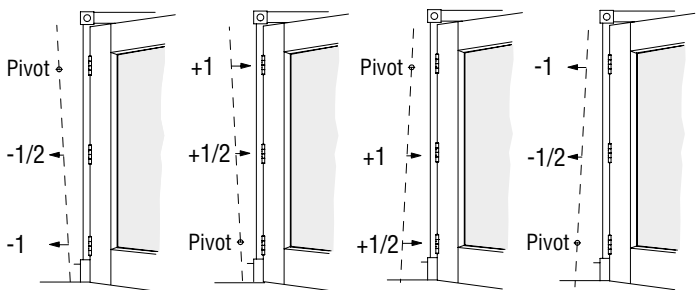
NOTICE

Horizontal adjustments are made by using one of the hinges as a pivot point. Pivot point should be horizontal part of the door that is most centered in opening.

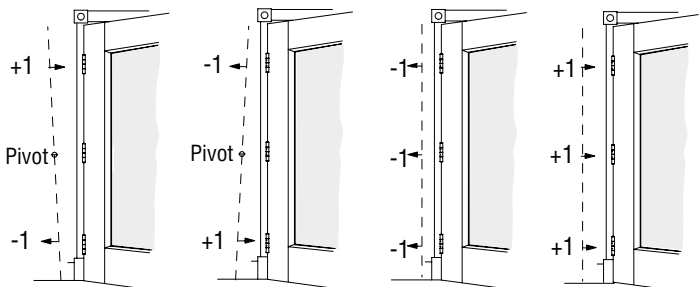
- If panel is square in frame, then all hinges will be adjusted equally to center door in opening (see chart).
- If panel is not square, determine at which hinge panel is most horizontally centered in opening. This point will be used as a **pivot** and other hinges will be adjusted in proportional distances to make panel square and center in frame (see chart). Determine from chart the number of rotations each hinge requires to stay proportional.

Turn clockwise to narrow gap between door and frame, **clockwise = (-)**.

Turn counterclockwise to increase gap between door and frame, **counterclockwise = (+)**.



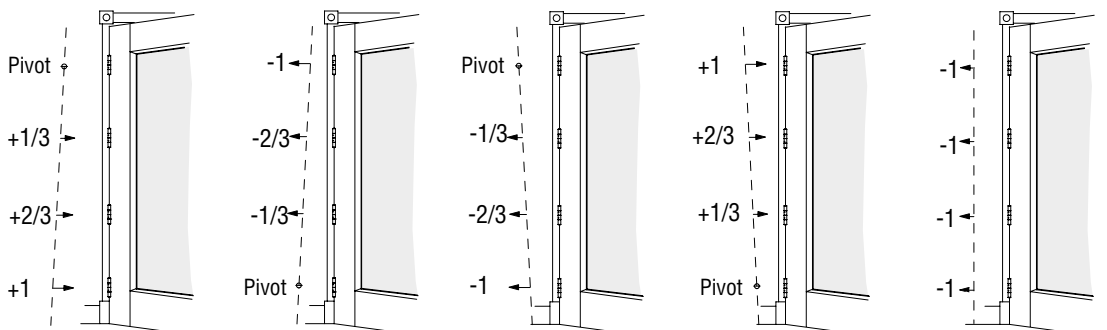
Square Panel Square Panel Square Panel Square Panel



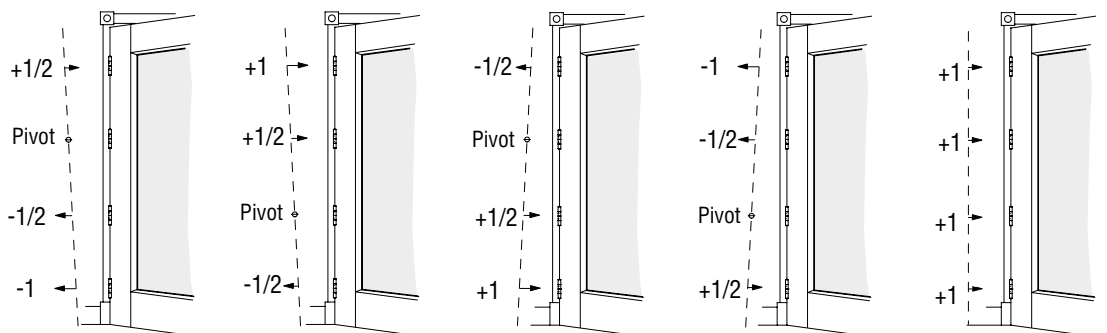
Square Panel Square Panel Center Panel Center Panel

Frenchwood® Hinged Door 6'8" or 6'11" Adjustments

Interior Views



Square Panel Square Panel Square Panel Square Panel Center Panel



Square Panel Square Panel Square Panel Square Panel Center Panel

Frenchwood Hinged Door 8'0" Adjustments

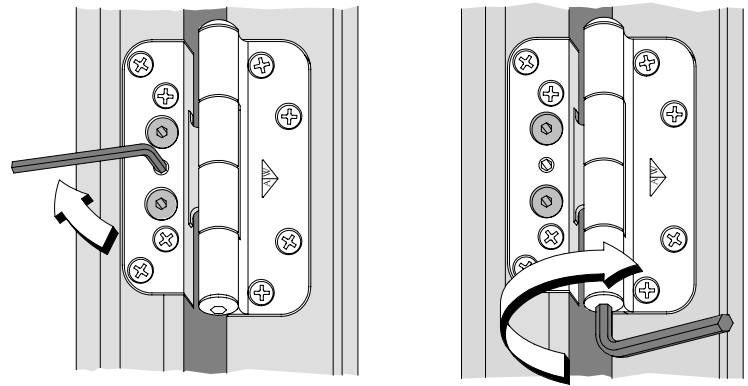
Interior Views

7. Determine Required Adjustments

NOTICE

Make all **horizontal adjustments** first. Horizontal adjustments correct most problems. Vertical adjustments are rarely needed.

- Horizontal adjustments move panel side to side to square and center panel in opening.
- Vertical adjustments move panel up and down to center panel in opening.



Horizontal Adjustments

Vertical Adjustments

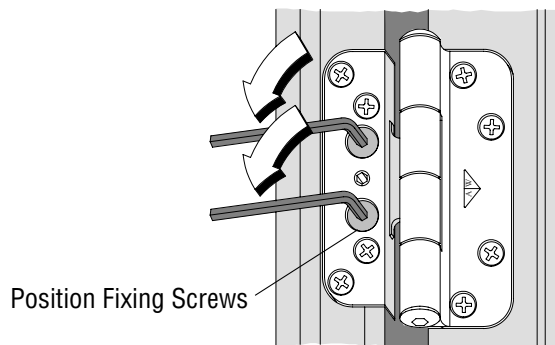
Interior Views

8. Prepare Hinges for Horizontal Adjustment

WARNING

DO NOT remove hinge Position Fixing Screw(s). Removal of these screws can cause door to drop or fall causing personal injury, product, and/or property damage.

- Loosen *Position Fixing Screws* on each hinge by turning counterclockwise 1/2 turn.



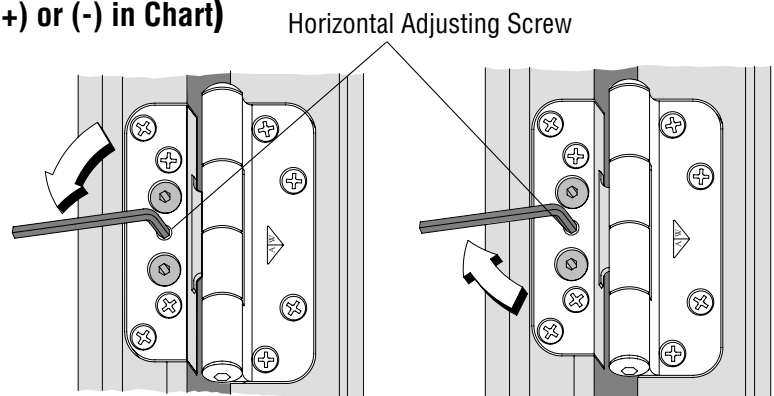
Interior View

9. Adjust Gap Between Panel and Frame (+) or (-) in Chart

NOTICE

Make all adjustments in proper proportion and direction in relation to other hinges. Refer to charts on opposite page.

- Turn *Horizontal Adjusting Screw* counterclockwise to push (increase gap) door away from frame.
- Turn *Horizontal Adjusting Screw* clockwise to pull (decrease gap) door closer to frame.



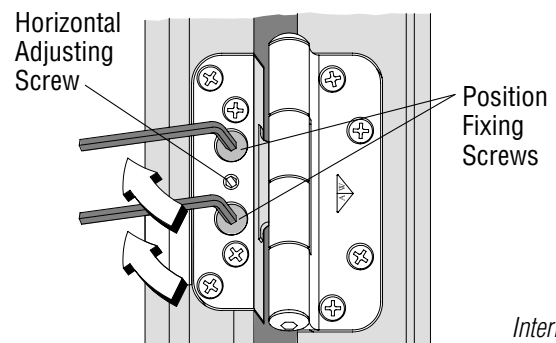
Increase Gap

Decrease Gap

Interior Views

10. Tighten All Hinges

- Tighten *Position Fixing Screws* on all hinges by turning them clockwise until snug.
- Check tightness of all *Horizontal Adjusting Screws* by turning them counterclockwise until snug.



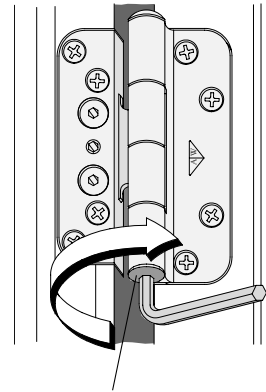
Interior View

11. Vertical Adjustment

NOTICE

- Adjust hinges with door slightly open. Door should be supported by all hinges to make sure of maximum hinge performance.
- Adjust bottom hinge first and work upward.

- Turn **bottom** hinge *Vertical Adjustment Screw* clockwise 1/2 turn and then continue turning until door is centered vertically in opening.
- Turn next hinge *Vertical Adjustment Screw* clockwise until door moves slightly, then turn counterclockwise 1/4" turn. Repeat for remaining hinges working upward.

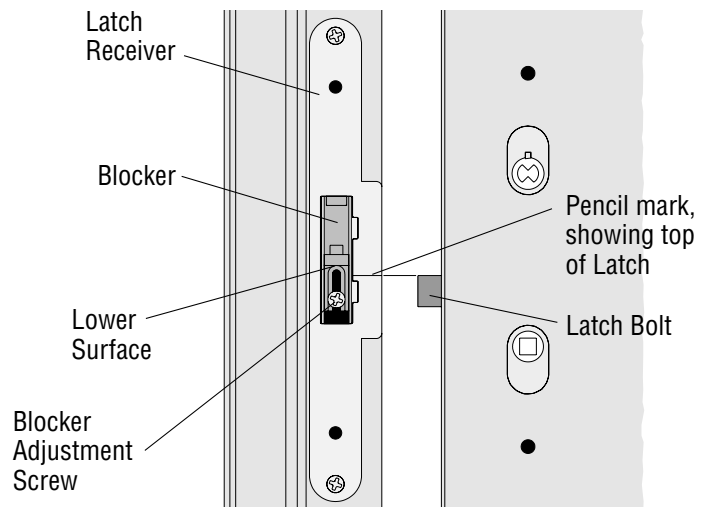


Vertical Adjustment Screw

Interior View

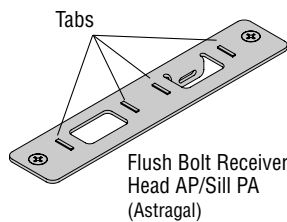
12. Blocker Adjustment

- Make a pencil mark where top of *Latch Bolt* strikes *Latch Receiver*.
- Loosen *Blocker Adjustment Screw*.
- Slide *Blocker* up or down so *Lower Surface* of *Blocker* lines up with pencil mark.
- Tighten *Blocker Adjustment Screw*.
- Close and lock both panels.

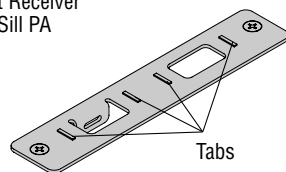


13. Tab Adjustments

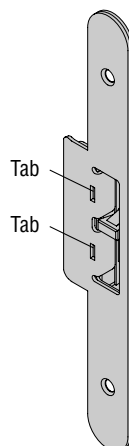
- Adjust tab in *Latch Receiver*, *Hook Bolt Receivers*, and *Flush Bolt Receivers* in or out to achieve adequate weatherstrip compression using a flat blade screwdriver.
- Adjust tab on *Hook Bolt Receivers* if *Hook Bolts* do not stay engaged.



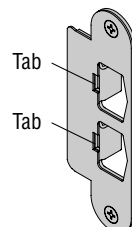
Flush Bolt Receiver Head AP/Sill PA (Astragal)



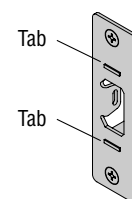
Flush Bolt Receiver Head PA/Sill AP (Astragal)



Latch Receiver/Trim AP/PA (Astragal)



Latch Receiver/Trim AR/AL (Jamb)



Hook Bolt Receiver AL/AR (Jamb)



Hook Bolt Receiver AP/PA (Astragal)

