

Exterior Keyed Lock Parts Replacement

for Andersen® 400 Series Frenchwood® Gliding, 200 Series Narroline® and Perma-Shield® Gliding Patio Doors



INSTALLER: Please leave this guide with the building owner to file for future reference.

For ease of installation and continued enjoyment of your Andersen® product, please read and follow this Instruction Guide completely. You may direct any questions about this or other products to your local Andersen dealer, found in the Yellow Pages under “Windows”, or call Andersen WindowCare® service center at 1-888-888-7020 Monday through Friday, 7 a.m. to 7 p.m. Central Time and Saturday, 8 a.m. to 4 p.m. Central Time. Assembly and installation of Andersen products is the sole responsibility of the architect, building owner, contractor and/or consumer and Andersen has no responsibility in this regard. Thank you for choosing Andersen.

⚠ WARNING

Incorrect installation may create risk of entrapment or loss of building security. Make sure hardware is installed correctly. Read and follow each step of this instruction guide.

NOTICE

Illustrations in this instruction guide depict Newbury™ Exterior Keyed Lock and Frenchwood® Gliding Patio Door. Procedures are identical for other hardware styles of exterior keyed locks and other gliding patio doors.

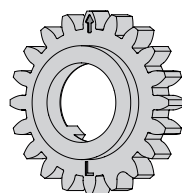
Parts Included (2500707) Replacement Kit

- (1) Instruction Guide
- (1) Large Gear, Left (Gold)
- (1) Large Gear, Right (Silver)
- (1) Tailpiece Receiver
- (3) Screws
- (1) Small Gear

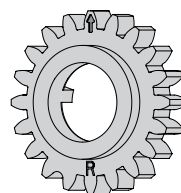
Tools and Supplies

- Safety Glasses
- Phillips Screwdriver
- Small Flat Blade Screwdriver

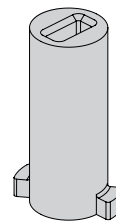
Component Identification



Large Gear, Left (Gold)



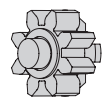
Large Gear, Right (Silver)



Tailpiece Receiver



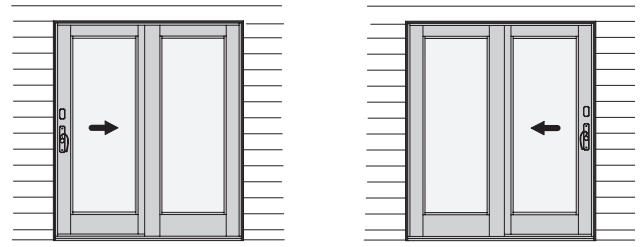
Screws



Small Gear

1. Determine Keyed Lock Handing

- 4-Panel Door uses the left hand configuration.
- From the exterior, determine if 2-Panel Door is left hand or right hand operating. If handle is on the left hand panel, looking from the exterior, it is a left hand door. If the handle is on the right hand panel, looking from the exterior, it is a right hand door.



Left Hand Operating Door

Right Hand Operating Door

Exterior Views

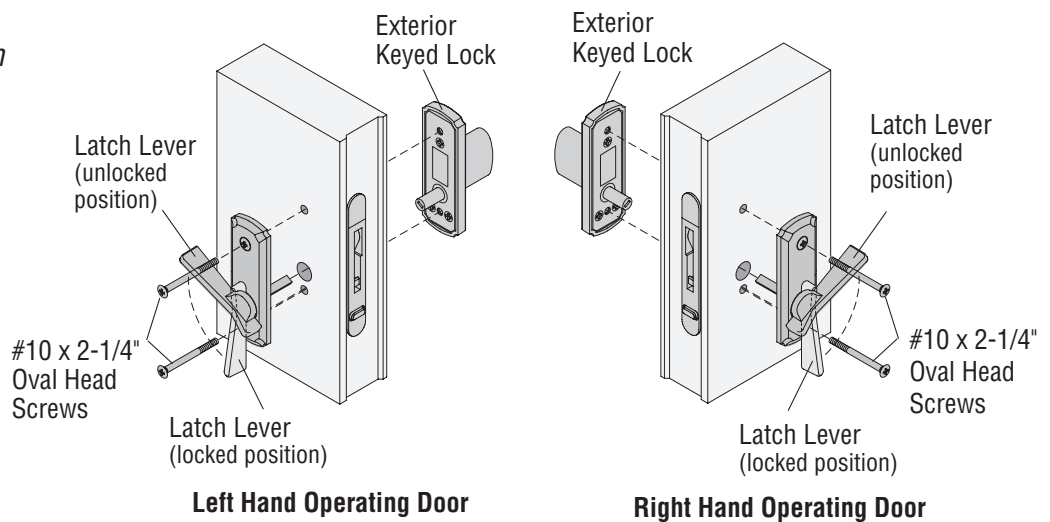
2. Remove Latch Lever and Exterior Keyed Lock

- Make sure *Key* is removed from *Exterior Keyed Lock*.
- From the interior, turn *Latch Lever* completely to the unlocked position.

NOTICE

Hold onto Exterior Keyed Lock when removing screws.

- Remove the two #10 x 2-1/4" Oval Head Screws using a Phillips screwdriver. Remove *Latch Lever*.
- Remove *Exterior Keyed Lock* on exterior of unit.



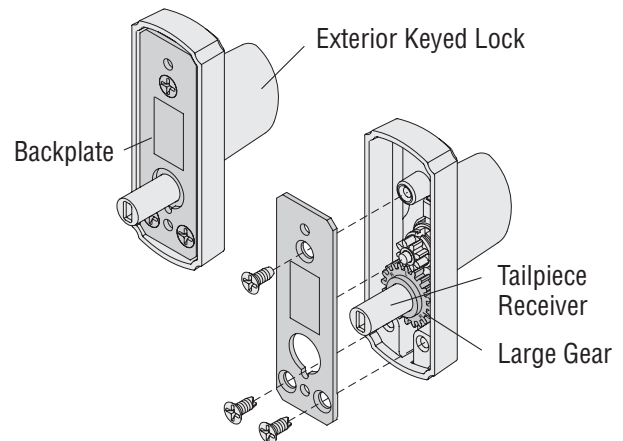
Left Hand Operating Door

Right Hand Operating Door

Interior Views

3. Remove Backplate from Exterior Keyed Lock

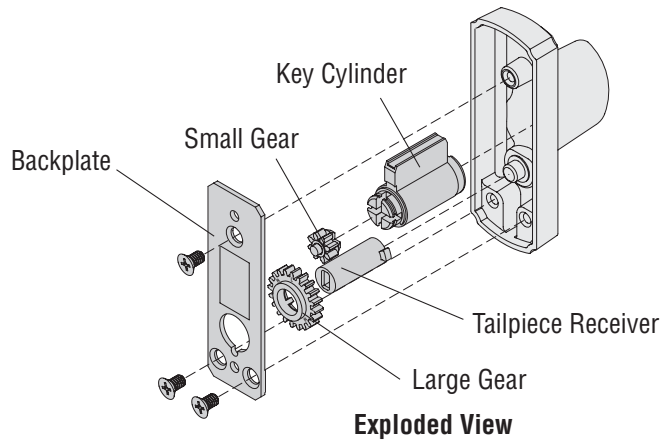
- Remove the three screws on *Backplate* of *Exterior Keyed Lock* using a Phillips screwdriver.
- Carefully remove *Backplate* being careful not to disturb internal parts.



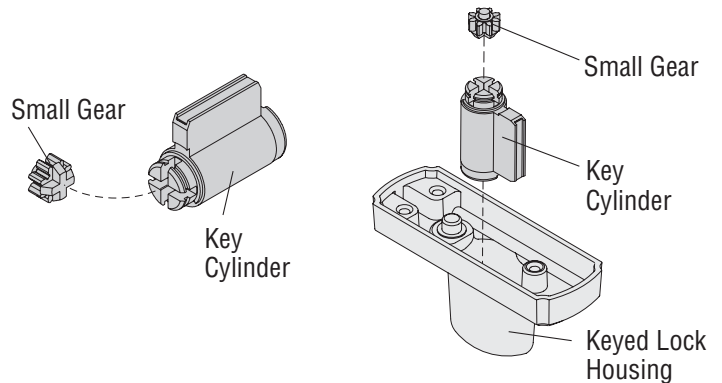
4. Reassemble Exterior Keyed Lock

NOTICE

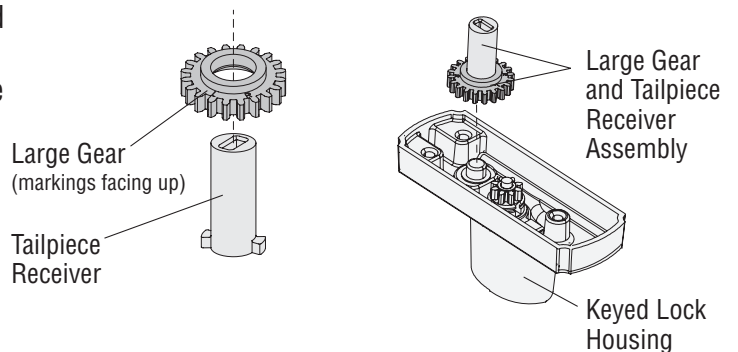
For Exterior Keyed Lock, refer to exploded view, shown at right, when assembling parts. Not all packaged parts may need to be replaced and you may have duplicates of some parts.



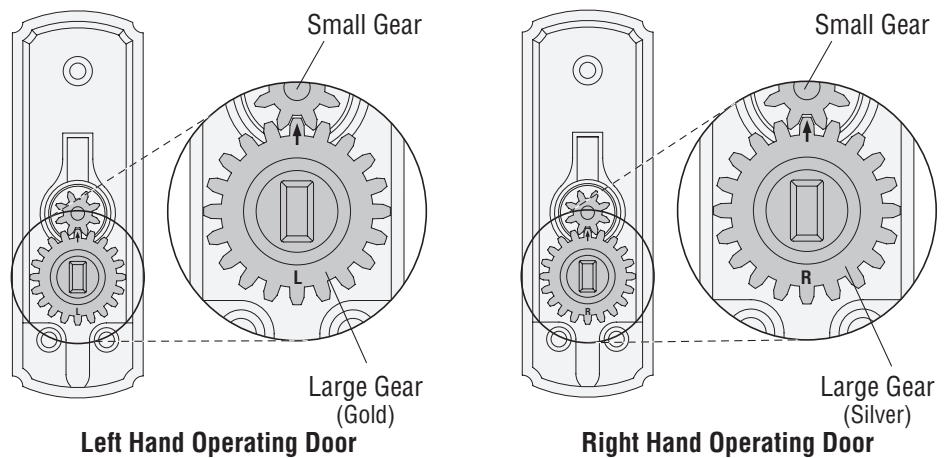
- Replace necessary components and reassemble.
- Reassemble *Small Gear* to *Key Cylinder* with matching slots and position into *Keyed Lock Housing*.



- Refer to **Step 1** to determine if door is left or right hand operating. For left hand operating doors use *Large Gear (Gold)*. For right hand operating doors use *Large Gear (Silver)*.
- Reassemble appropriate *Large Gear* over *Tailpiece Receiver*, markings facing upward, and position into *Keyed Lock Housing*.

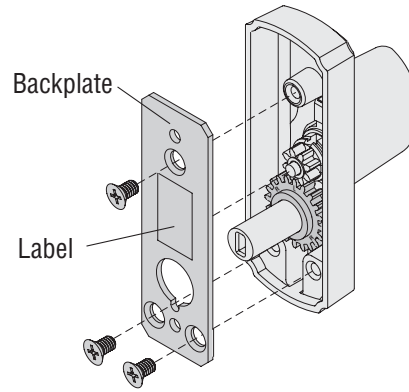


- When reassembling, rotate *Large Gear* assembly until the “↑” on the *Large Gear* is between the two teeth on the *Small Gear*.



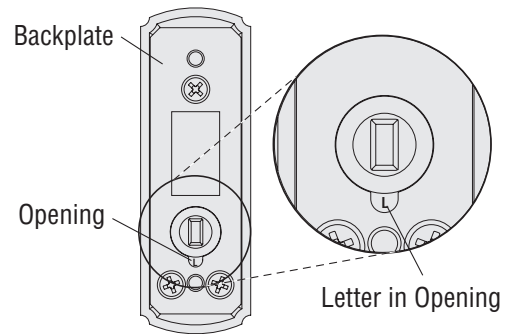
5. Replace Backplate

- Replace *Backplate* on *Exterior Keyed Lock* with label facing out.
- Fasten using three screws.

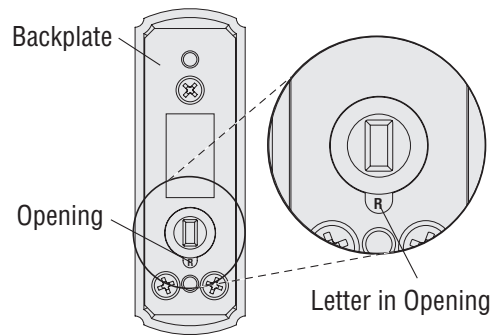


6. Prepare Keyed Lock

- In small opening on *Backplate*, make sure a letter “L” appears for a left hand door or “R” for a right hand door.
- If the appropriate letter **does not** appear in the small opening, repeat **Step 3** and **Step 4**.



Left Hand Operating Door



Right Hand Operating Door

7. Attach Exterior Keyed Lock

- Reinstall *Latch Lever* in unlocked position and place on interior of door.
- Align *Tailpiece Receiver* slot with *Tailpiece*. *Tailpiece Receiver* may require rotating for alignment.
- Insert *Exterior Keyed Lock* on exterior of door with *Key* removed.

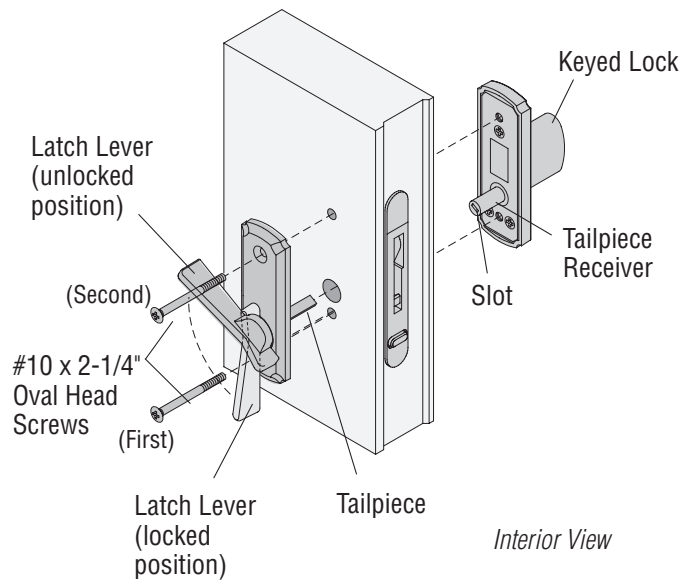
NOTICE

Secure bottom screw first when fastening Latch Lever, Lock Assembly, and Keyed Lock to panel.

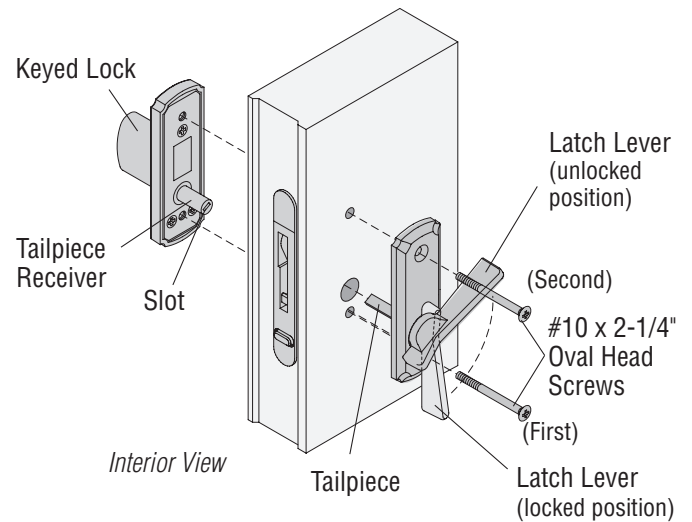
- Insert *#10 x 2-1/4" Oval Head Screws* and tighten until snug.

NOTICE

- If hardware is not completely installed on door, proceed to the gliding patio door hardware instruction guide and follow directions to complete procedure. Once procedure is completed, return to **Step 8**.
- If hardware is completely installed on door, proceed to **Step 8**.



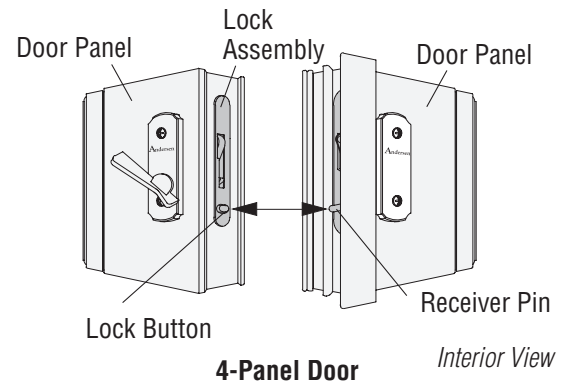
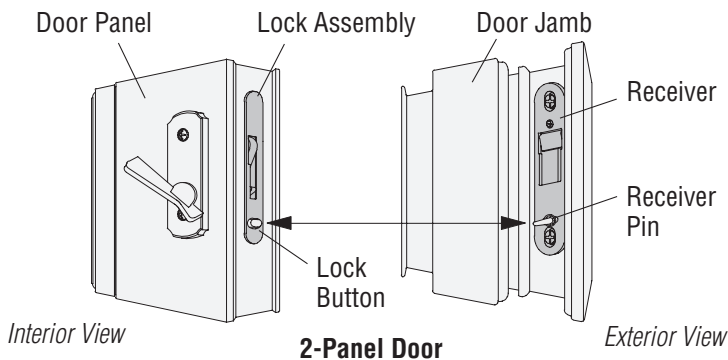
Left Hand Operating Door



Right Hand Operating Door

8. Align Lock Button and Receiver Pin

- Close door and make sure *Lock Button* on *Lock Assembly* is aligned with *Receiver Pin* on *Receiver*. If not aligned, proceed to the gliding patio door hardware instruction guide and follow directions to align *Receiver Pin*.



9. Check Exterior Keyed Lock

⚠ WARNING

All three tests must be performed to make sure of proper operation of door. Failure to do so could create risk of entrapment or loss of building security.

Test 1

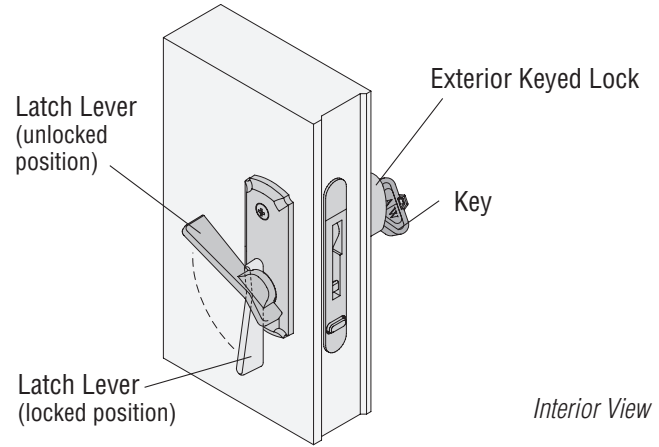
- Close door from the exterior and insert *Key* into *Exterior Keyed Lock*.
- Turn *Key* counterclockwise to lock a left hand door, clockwise to lock a right hand door. Refer to **Step 1** to determine if door is left or right handed. *Key* must be rotated back one revolution to remove. Attempt to pull on door to make sure door is locked, with *Key* removed.
- Insert *Key*, unlock door, remove *Key* by rotating one revolution, and open door.

Test 2

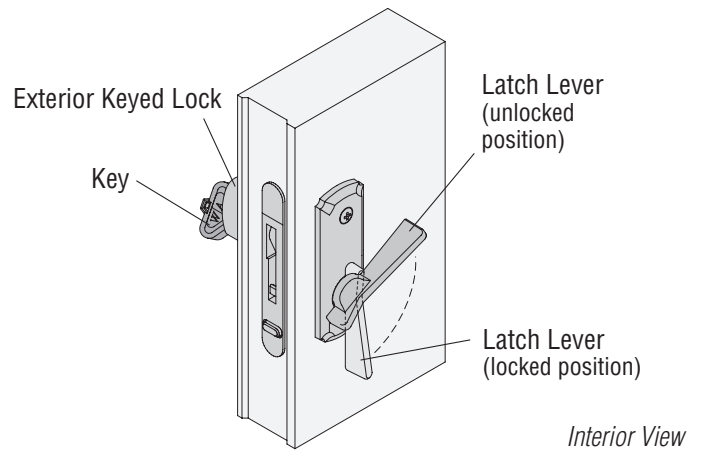
- Close door from the exterior and lock door using *Key*.
- Remove *Key*.
- Unlock door from the interior using *Latch Lever*.

Test 3

- Close door from the interior and turn *Latch Lever* to locked position. *Latch Lever* will be vertical when in locked position. Attempt to pull door open to make sure door is locked.
- Unlock door.
- If lock does not function properly during any of the three tests, repeat **Steps 3-8** for correct installation.



Left Hand Operating Door



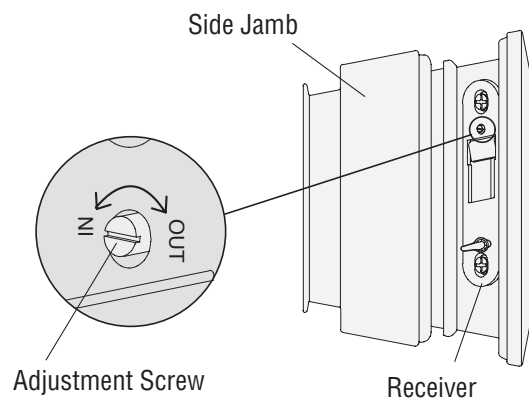
Right Hand Operating Door

10. Check Latch Operation

- Close door from the interior and turn *Latch Lever* to locked position. *Lock Assembly* should engage *Receiver* smoothly and pull door panel into the side jamb for a snug fit.
- With door locked, check fit of door panel where it meets weatherstrip. Fit should be snug. Unlock and open door. Adjust to fit, if needed, using a small flat blade screwdriver to turn *Adjustment Screw* on *Receiver*.

For a tighter fit, turn *Adjustment Screw* on *Receiver* counterclockwise toward "IN" position.

If *Latch Lever* operates stiffly when locking or unlocking door, loosen fit by turning *Adjustment Screw* on *Receiver* clockwise toward the "OUT" position.



2-Panel Door Shown in illustration.